



All-Electric Bus HVAC Solutions
Choose from a range of clean, efficient solutions.



TRANE
TECHNOLOGIES

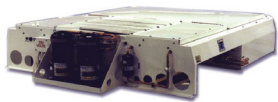


Thermo King. The Total Solutions Provider for All-Electric HVAC.

Electric HVAC Benefits:

- Saves fuel by eliminating the effect of variable engine RPM on load and demand
- Optimum A/C capacity at all bus speeds
- Dramatically improved reliability
- Hermetically sealed and tested at the factory; no field plumbing, evacuation or charging
- Integrated electric compressors with variable speed control
- Reduced number of maintenance items
- No tubing or hoses needed to connect the HVAC unit and compressor
- Energy-efficient R-407C refrigerant

Products



REH Series



TEA Series



TE Series



ATHENIA E-800 &
ATHENIA EA-800



RLF-E and RLF EA Series



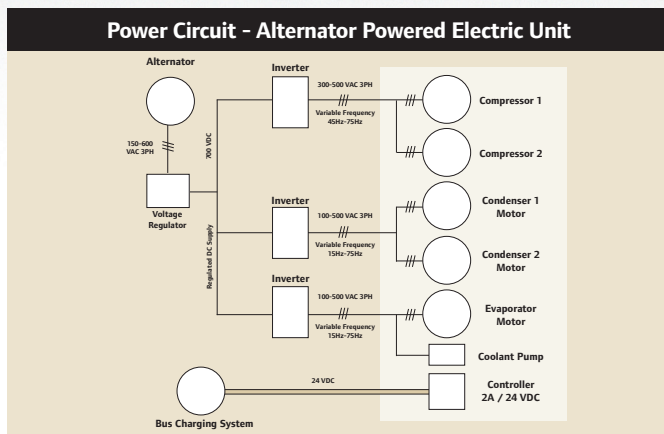
Thermo King Offers You Choice: Choose the Right Solution for your Needs!

At Thermo King, We Realize That One Size Does Not Fit All.

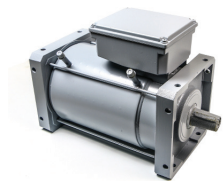
*For complete specifications on any of the products listed,
please contact your local Thermo King dealer or call 952-887-2241.*



Electric HVAC Solutions for Standard Diesel and CNG Engine-Driven Buses



For use on standard diesel engine-driven buses.



Alternator/Mount/ Drive Assembly

- 15 KW Output
- 150 to 600 VAC Variable Alternator Voltage Output (Based on Variable Bus Engine Speed)
- 1400 to 5600 RPM A Alternator Speed Range (Based on 700 to 2800 RPM Bus Engine Speed)
- High Efficiency
- Permanent Magnets Retained in Rotor Laminations
- Liquid Cooled Alternator
- Totally Enclosed Alternator
- Cast Iron End Bells w/Steel Frame
- Corrosion-Resistant Paint
- Large 6309 Bearings w/High Temp Grease
- 2-5V Drive Belt – From Bus Engine
- 12K Poly V Belt – Drives Alternator



Inverter /Converter Power System

- 15 KW CONSTANT output
- Controlled Voltage Output (Based on Demand)
- 380 to 460 VAC
- 50-75 HZ
- Liquid Cooled Inverter
- 3 Separately Controlled Voltage Outputs:
 - Hermetic Compressors
 - Condenser Fan Motors
 - Evap Fan Motors & Coolant Pump



Glycol Coolant Pump



Safety Disconnect Box

A Complete Line of Products that Deliver Energy Efficiency and Sustainability



Thermo King – by Trane Technologies (NYSE: TT), a global climate innovator – is a worldwide leader in sustainable transport temperature control solutions. Thermo King has been providing transport temperature control solutions for a variety of applications, including trailers, truck bodies, buses, air, shipboard containers and railway cars since 1938. For more information, visit thermoking.com or tranetechnologies.com.

